



NEW HOLLAND

LS 160 LS 170 LS 185.B



PILOT CONTROL AVAILABILITY (OPTIONAL)

- PATENTED SUPER BOOM, VERTICAL LIFT
- OPTIMUM STABILITY
- EXCEPTIONAL ALL-ROUND VISIBILITY
- OUTSTANDING ACCESSIBILITY
FOR MAINTENANCE AND SERVICE



NEW HOLLAND

CONSTRUCTION

BUILT AROUND YOU

LS160/170/185.B



PILOT CONTROL VERSION (OPTIONAL)

- COMFORTABLE, ENERGY-SAVING OPERATOR POSITION
- COMPLETE MACHINE CONTROLLABILITY
- SMOOTHER, SAFER MOVEMENTS



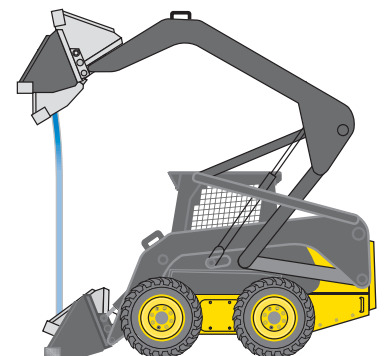
NEW HOLLAND PILOTED CONTROLS

In terms of plus factors for its customers, this is much more than a mere improvement. The in-depth research underlying the introduction of these controls has revealed that a more precise joystick operation is vital in guaranteeing an absolutely comfortable and efficient working position for the operator. To achieve this, New Holland has developed an exclusive new, streamlined driving seat with two special arm rests. These long, concave, contoured arm rests give the operator's forearms firm support from underneath, so he can operate the joysticks with surgical precision. They also provide excellent lateral support resulting in effortless compensation for all machine movements on the job, giving outstanding comfort: an incomparable improvement over the restraint bar design.

UNIQUE COMMON FEATURES OF THE NEW HOLLAND SKID-STEER LOADERS LS160/LS170/LS185.B


Plus factors of "Super Boom" skid-steers with patented mechanism


- Vertical lifting means maximum reach at maximum height
- The bucket or forks are kept parallel to the ground, with no risk of spillage
- The low centre of gravity reduces the risk of tipping, giving higher lifting capacity
- There are no structural obstacles, so rear visibility is best-in-class.





PILOT CONTROL

MAIN SPECIFICATIONS

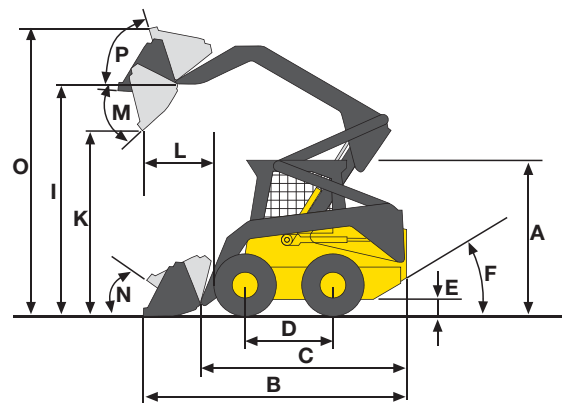
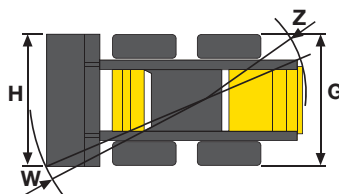
 PERFORMANCE	LS160	LS170	LS185.B
SAE operating load (kg).....	771	771	1133
Tipping load (kg).....	1601	1601	2268
Bucket breakout (kg).....	1687	1687	2737
Boom breakout (kg).....	1286	1286	1902
Boom lift time - loaded (sec).....	3.0	2.7	3.0
Boom lower time - empty (sec).....	3.0	2.3	2.9
Bucket dump time - loaded (sec).....	2.0	1.7	2.2
SAE operating weight (kg).....	2510	2515	3220
Transport weight less bucket (kg).....	2222	2225	3043

 ENGINE	LS160	LS170	LS185.B
Engine power ISO 14396/ECE R120 (kW/hp).....	33/44	46/62	58/78
Make/Model.....	ISM/N844	ISM/N844T	CNH/F4CE0354A*
Displacement (l).....	2.0	2.0	3.4
Cylinders (n°).....	4	4	3
Diesel tank capacity (l).....	33	33	68

 HYDRAULIC SYSTEM	LS160	LS170	LS185.B
Pump type.....	Gear	Gear	Gear
Pump capacity (l/min).....	59	67	70
Max. pressure (bar).....	172	172	210
Hi-Flow (l/min).....	91	99	122
Hydraulic oil capacity (l).....	32.6	32.6	56.8

 TRANSMISSION	LS160	LS170	LS185.B
Type.....	Hydrostatic	Hydrostatic	Hydrostatic
Pumps and motors.....	Axial pistons	Axial pistons	Axial pistons
Max low/high speed (km/h).....	-/11.7	-/11.7	11/18

MAIN DIMENSIONS



	A mm	B mm	C mm	D mm	E mm	F (°)	G mm	H mm	I mm	K mm	P (°)	M (°)	N (°)	W mm	Z mm	L mm	O mm
LS160	1915	3175	2578	1080	201	23	1645	1680	2925	2300	79	45	36	1880	1520	742	3605
LS170	1915	3175	2578	1080	201	23	1645	1680	2925	2300	79	45	36	1880	1520	742	3605
LS185.B	1975	3525	2845	1210	240	28	1810	1830	3165	2540	77	45	37	2200	1810	830	3840

ATTACHMENTS LS160/170/185.B PILOT CONTROL

An extensive range of attachments is available to maximise the versatility of your New Holland skid steer loader, each attachment designed to be the perfect match for your machine. For further information, contact your New Holland dealer.



AT YOUR OWN DEALERSHIP

The information contained in this brochure is intended to be a general nature only. The NEW HOLLAND KOBELCO CONSTRUCTION MACHINERY S.p.A. company may at any time and from time to time, for technical or other necessary reasons, modify any of the details or specifications of the product described in this brochure. Illustrations do not necessarily show products in standard conditions. The dimensions, weights and capacities shown herein, as well as any conversion data used, are approximate only and are subject to variations within normal manufacturing techniques.

Published by NEW HOLLAND KOBELCO CONSTRUCTION MACHINERY S.p.A. - www.newholland.com
Printed in Italy - LEADER Firenze - Cod. 73301 072GB - Printed 06/07



www.newholland.com