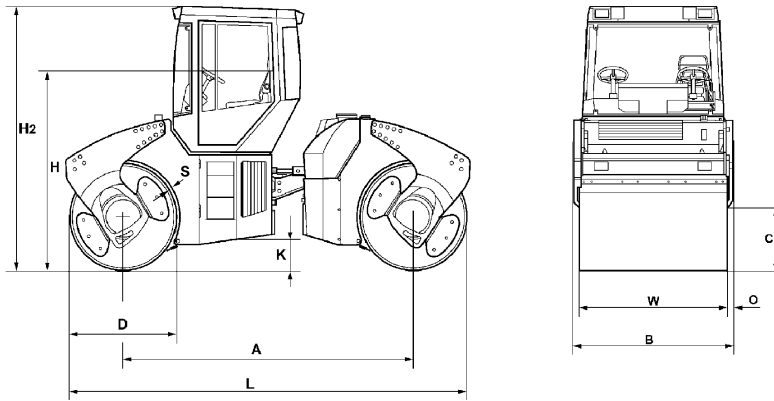


# TECHNICAL DATA

TANDEM ROLLER

BW 161 AD-4





**Dimensions in mm**

	<b>A</b>	<b>B</b>	<b>C</b>	<b>D</b>	<b>H</b>	<b>H2</b>	<b>K</b>	<b>L</b>	<b>O</b>	<b>S</b>	<b>W</b>
<b>BW 161 AD-4</b>	3300	1840	715	1220	2320	3000	350	4610	80	17	1680

**Shipping dimensions in m3**

**BW 161 AD-4**

**without ROPS**

19,679

**with ROPS**

25,447

<b>Machine type</b>	<b>Compaction output (m3/h) at recommended soil layer thicknesses</b>		
	<b>Gravel, sand</b>	<b>Mixed soil</b>	<b>Silt, clay</b>
BW 161 AD-4	150-320	135-260	100-220

<b>Machine type</b>	<b>Compaction output (t/h) at different asphalt layer thicknesses</b>		
	<b>2-4 cm</b>	<b>6-8 cm</b>	<b>10-14 cm</b>
BW 161 AD-4	50-100	100-200	150-230

## Technical Data

## BOMAG BW 161 AD-4

### Weights

Operating weight CECE w. cab. ....	kg	10.050
Axle load, front CECE .....	kg	5.050
Axle load, rear CECE .....	kg	5.000
Static linear load, front CECE .....	kg/cm	30,1
Static linear load, rear CECE .....	kg/cm	29,8
Grossweight .....	kg	11.500

### Dimensions

Track radius, inner .....	mm	4.400
---------------------------	----	-------

### Driving Characteristics

Speed (1) .....	km/h	0- 5,7
Speed (2) .....	km/h	0- 11,0

### Drive

Engine manufacturer .....		Deutz
Type .....		TCD 2011 L04 w
Emission stage .....		Stage IIIa / TIER3
Cooling .....		Liquid
Number of cylinders .....		4
Performance ISO 14396 .....	kW	74,9
Speed .....	min-1	2.300
Electric equipment .....	V	12

### Brakes

Service brake .....		hydrost.
Parking brake .....		mech.

### Steering

Steering system .....		oscil.artic.
Lateral displacement right/left .....	mm	170

### Exciter system

Vibrating drum .....		front + rear
Autom. vibr. shut off .....		standard
Frequency .....	Hz	40/50
Amplitude .....	mm	0,94/0,42
Centrifugal force .....	kN	107/74
Centrifugal force .....	t	10,9/7,5

### Capacities

Fuel .....	l	200,0
Water .....	l	1.000,0

Technical modifications reserved. Machines may be shown with options.

### Standard Equipment

- 2 amplitudes / 2 frequencies
- Crab steer right/left 170 mm
- Autom. vibration operation
- Individual vibration control
- Operator's platform with:
  - two steering wheels
  - Rotable and laterally sliding seat
- 2 travel levers with integrated switches for vibration
  - + Edge pressing roller
  - + Crab steer right/left
- Pressure sprinkling system with 2 pumps
- Back-up alarm
- Battery disconnect switch

### Optional Equipment

- \* ROPS cabin with seat belts
  - + 4 integrated lights
- Cabin without ROPS
- Indicator and hazard lights
- Sun roof
- Rotary beacon
- Speedometer
- Asphalt temperature display
- Edge cutter
- Folding scrapers
- Additional weight (600kg)
- Air condition
- ECONOMIZER
- Radio
- Additional outside mirrors
- Fire extinguisher
- Pointer
- BOMAP compaction navigation with GPS

