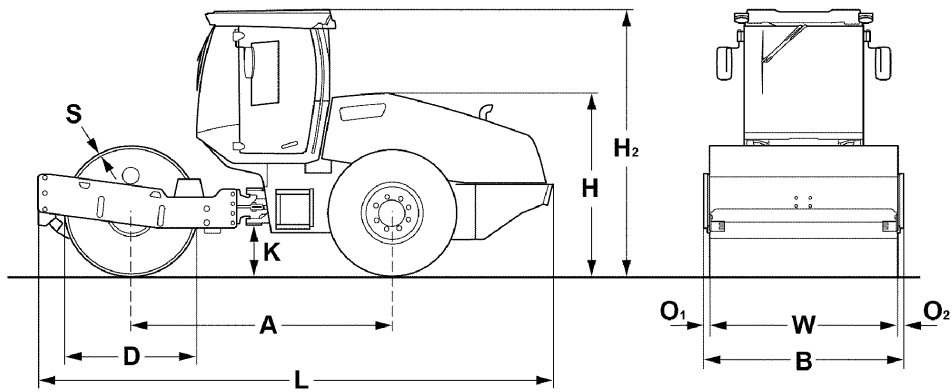


# TECHNICAL DATA

SINGLE DRUM ROLLERS

BW 211 D-5 SL





**Dimensions in mm**

	<b>A</b>	<b>B</b>	<b>D</b>	<b>H</b>	<b>H2</b>	<b>K</b>	<b>L</b>	<b>O1</b>	<b>O2</b>	<b>S</b>	<b>W</b>
<b>BW 211 D-5 SL</b>	2975	2260	1500	2240	3053	530	5870	65	65	25	2130

**Shipping dimensions in m3**

**BW 211 D-5 SL**

**without ROPS**

29,716

**with ROPS**

40,502

<b>Machine type</b>	<b>Compaction output (m3/h)</b>			
	<b>Rock fill</b>	<b>Gravel, sand</b>	<b>Mixed soil</b>	<b>Silt, clay</b>
BW 211 D-5 SL	400-800	270-540	220-440	110-220

<b>Machine type</b>	<b>Compacted layer thickness (m)</b>			
	<b>Rock fill</b>	<b>Gravel, sand</b>	<b>Mixed soil</b>	<b>Silt, clay</b>
BW 211 D-5 SL	0,70	0,50	0,40	0,20

## Technical Data

## BOMAG BW 211 D-5 SL

### Weights

Grossweight .....	kg	13.290
Operating weight .....	kg	10.120
Operating weight CECE w. ROPS-cabin .....	kg	10.630
Axle load, drum CECE .....	kg	6.040
Axle load, wheels CECE .....	kg	4.590
Static linear load CECE .....	kg/cm	28,4

### Dimensions

Working width .....	mm	2.130
Track radius, inner .....	mm	3.677

### Driving Characteristics

Speed (1) .....	km/h	0- 6,0
Speed (2) .....	km/h	0- 10,0
Max. gradeability without/with vibr. ....	%	45/43

### Drive

Engine manufacturer .....		Cummins
Type .....		F3.8
Emission stage .....		Stage V / TIER4f
Cooling .....		water
Number of cylinders .....		4
Performance ISO 3046 .....	kW	100,0
Performance SAE J 1995 .....	hp	134,0
Speed .....	min-1	2.200
Fuel .....		Diesel
Electric equipment .....	V	12
Drive system .....		hydrost.
Drum driven .....		standard

### Drums and Tyres

Tyre size .....		23.1-26/12PR
-----------------	--	--------------

### Brakes

Service brake .....		hydrost.
Parking brake .....		hydromec.

### Steering

Steering system .....		oscil.artic.
Steering method .....		hydrost.
Steering / oscillating angle +/- .....	grad	35/12

### Exciter system

Drive system .....		hydrost.
Frequency .....	Hz	30/36
Amplitude .....	mm	1,80/0,95
Centrifugal force .....	kN	236/170
Centrifugal force .....	t	24,1/17,3

### Capacities

Fuel .....	l	250,0
------------	---	-------

Technical modifications reserved. Machines may be shown with options.

### Standard Equipment

- Self locking differential
- Rear axle with twin spring accumulator brakes
- Hydrostatic travel and vibration drive
- Hydrostatic articulated steering
- Articulated joint lock
- Battery disconnect switch
- Single lever control for travel and vibration
- Warning, information and operation displays with LCD
- Emergency STOP
- Back-up alarm
- 2 Scraper
- Operator seat
- Warning horn

### Optional Equipment

- ROPS/FOPS cabin with seat belts
- ROPS/FOPS with safety belt
- Air condition
- Rotary beacon
- Indicator and hazard lights
- ECONOMIZER
- TERRAMETER
- BOMAG TELEMATIC START
- Padfoot segment kit
- Measuring- and machine data interface for third-party suppliers
- Comfort driver's seat
- BOMAP
- Tablet holder set
- BOMAP GPS antenna set
- BOMAP GPS antenna holder

